

# Century

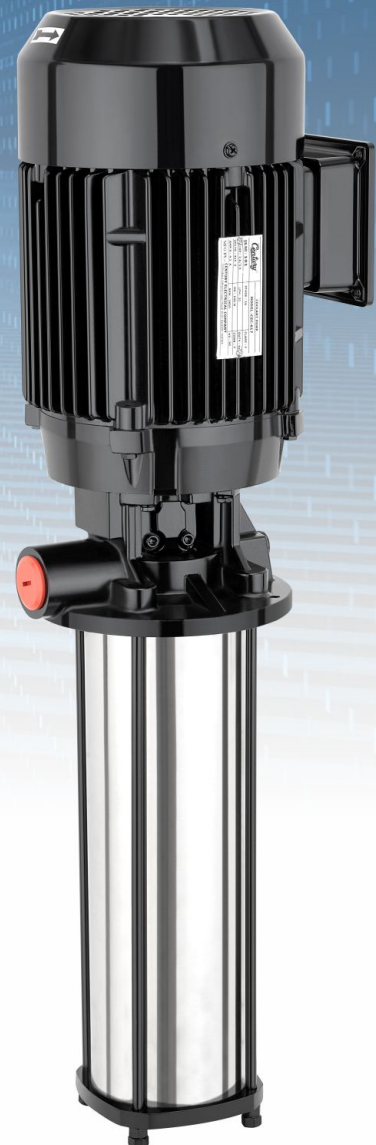
## COOLANT PUMP



CEC-605



CEC-608



CEC-616

### COOLANT PUMP

#### CONSTRUCTION :

STAMPING	CRNO
IMPELLER	S.S. 304
BOWL	S.S. 304
SHAFT	EN-8
BEARING BUSH	GUN METAL

#### APPLICATION :

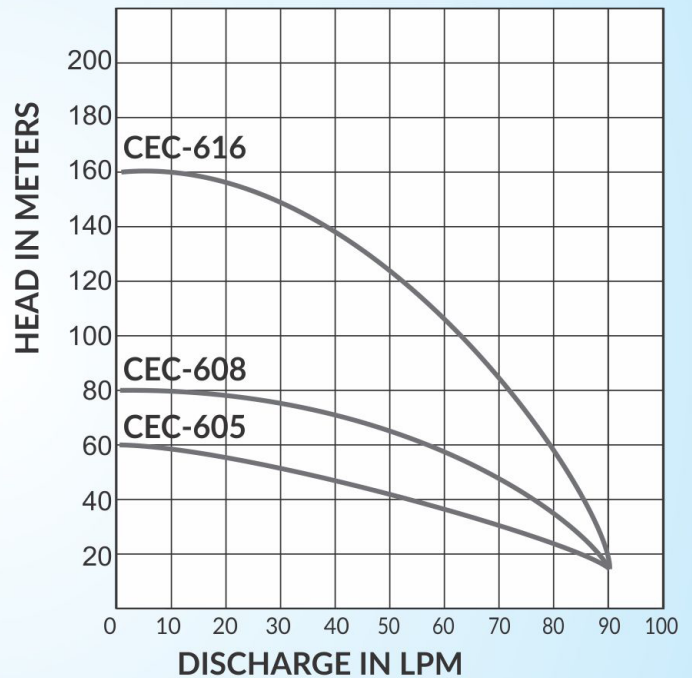
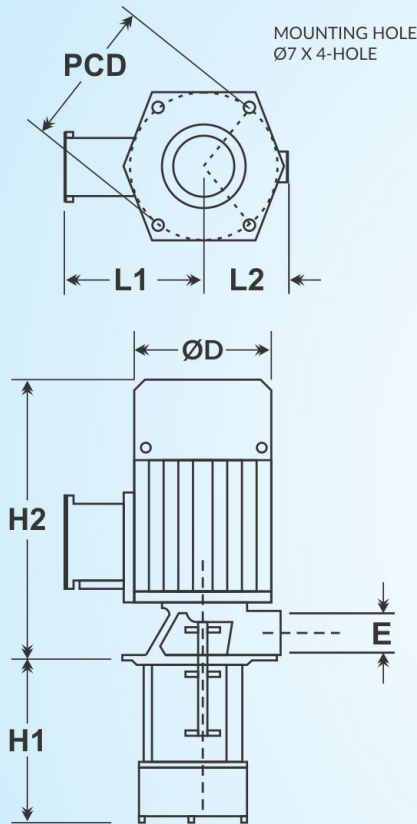
TYPES OF FLUIDS

- WATER
- COOLING EMULSION
- COOLING / CUTTING OIL
- 0-80° C

#### PUMPING TEMPERATURE

#### USED ON :

ALL CNC MACHINES, LATHES AND MACHINING CENTERS, MOST SUITED FOR THROUGH TOOL COOLING, DEEP HOLE DRILLING ETC. ALSO SUITABLE FOR INDUSTRIAL WASHING



### COOLING MOTOR DETAIL DIMENSIONS

TYPE	NO. OF STAGE	H1	H2	D	L1	L2	E	PCD	POWER IN KW	WEIGHT IN KG.
CEC-605	5	200	315	160	125	95	25	160	0.75	21
CEC-608	8	240	315	160	125	95	25	160	1.1	24
CEC-616	16	385	415	197	140	105	25	160	2.6	41

MARKETED BY :

## CENTURY AGRO ENGINEERS

2, Umakant Udhogynagar, Mavdi Plot, RAJKOT - 360 004. (INDIA)  
Mob.: 78020 06464 - 95869 88110

VISIT US AT : [www.ameerrajkot.com](http://www.ameerrajkot.com)

E-mail : [ameer@ameerrajkot.com](mailto:ameer@ameerrajkot.com), [ameerrajkot@yahoo.com](mailto:ameerrajkot@yahoo.com)

Distributor / Dealer